

All TCI Products Are Engineered With US DOM Steel

★

Lifetime Warranty on All TCI Engineering Fabricated Parts

Lifetime Warranty on All TCI Engineering Fabricated Parts

★

All TCI Products Are Engineered With US DOM Steel

Product Deals
Offer Ends
May 31st

SPRING IN TO SAVINGS



US Made Products + Engineered for Safety + Increased Performance
= Quality Suspension Products
Engineered For:
1967-1969 Camaro, 1968-1974 Nova & 1967-1969 Firebird

All Discounts Only Apply Thru A Certified TCI Engineering Dealers ~ Please CALL About Our Dealer Referral Program 866-925-1103

PERFORMANCE COIL-OVER IFS

BUILT FOR: STREET, STRAIGHT LINE & PRO-TOURING APPLICATION

TCI FREE Product Upgrades

★ 10% Off Retail Price
Value of: \$506.00 Included

★ 1" High Performance Anti-Roll Bar
Value of: \$184.00 Included

★ Drilled / Slotted & Zinc Plated Rotors
Value of: \$125.00 Included

★ Aluminium Inner Fender Panels
Value of: \$65.00 Included

★ New Big Bore Calipers
Value of: \$50.00 Included

★ 2" Dropped Spindle
Value of: \$140.00 Included

★ Power Rack - Included
Value of: \$100.00

TCI Bolt-in Product Features Strength & Durability:

- 120 lbs. lighter than stock clip with disc brakes
- Engine mounts designed to accept small block, big block & LS1 engines (Optional brackets and Camaro oil pan required with LS1)
- Bolt-in multi position transmission mount is included
- Billet single adjustable coil-over shock
- 11" Drilled & slotted zinc plated rotors
- 1" Performance anti-roll bar
- Aluminum inner fender panels

The Best Bolt-on Performance You Can Buy!!

Option: **\$5,059.00** Retail
Stainless Arms

\$1,170.00 * Total Savings Has Free Products Included

\$4,553.00
Special Price

* Offer Only Applies to Plain Package

Now AVAILABLE
Stock Height
Spindle
* Call For Details

Option:
Black Arms



- Big bore calipers (With 20% Better Clamping Force)
- Spindles (2" drop)
- Power Rack and pinion
- Black powder coated springs
- 1" Upper tubular A-arms
- 1 1/2" Lower tubular A-arms
- Urethane bushed tubular A-arms

Options Available:
• 12", 13" or 14" Wilwood Disc Brakes
• Air spring suspension

STREET / STRAIGHT LINE PERFORMANCE MINI TUB 4-LINK SUSPENSION KIT

The Best Bolt-on Performance You Can Buy!!

TCI Bolt-in Product Features Strength & Durability:

- NEW 1 1/4" High Performance Bars
- 1" adjustable panhard bar w/LH & RH rod ends
- Steel All American coil-over shock
- Black powder coated springs
- Rear coil-over crossmember
- Floor reinforcing plates
- Adjustable panhard bar
- Sub-frame connectors
- Adjustable 4-Link Bars
- Weld-on axle brackets
- Hardware kit

Street 4-Link
\$1,545.00 Retail

\$404.00 * Total Savings with Included products

\$1,391.00
Special Price

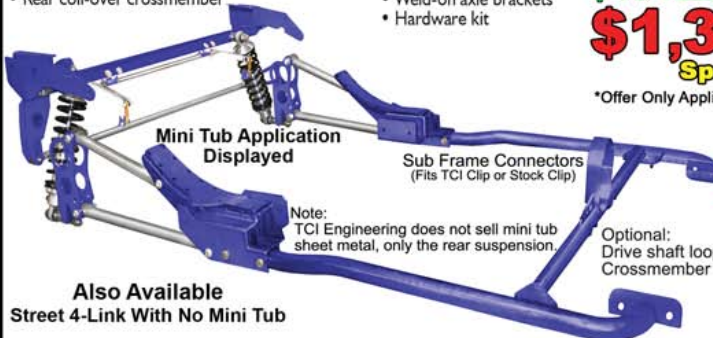
* Offer Only Applies to Plain Package

Mini Tub 4-Link
\$1,755.00 Retail

\$404.00 * Total Savings with Included products

\$1,601.00
Special Price

* Offer Only Applies to Plain Package



Mini Tub Application Displayed

Sub Frame Connectors (Fits TCI Clip or Stock Clip)

Note: TCI Engineering does not sell mini tub sheet metal, only the rear suspension.

Optional: Drive shaft loop Crossmember

★ 10% Off Retail Price
Value of: \$154.00 Included

★ 1 1/4" Rear High Performance Link Bars
Value of: \$250.00 Included

Looking to add more Tire to your car
• Able to fit: 18" x 12" Rear Wheels
• Able to fit: 335 x 35 x 18" Rear Tires
• Adds 2" in the rear wheel well
• For Only Mini Tub Applications

CALL NOW (866) 925-1103

Call Code: Muscle



In-House Machining and Fabrication



© 2011 Total Cost Involved Engineering, Inc. All Rights Reserved.

Go To: totalcostinvolved.com

Call For **FREE** TCI Catalog & Product Specials

