

All TCI Products Are Engineered With US DOM Steel

Lifetime Warranty on All TCI Engineering Fabricated Parts

Lifetime Warranty on All TCI Engineering Fabricated Parts

Lifetime Warranty on All TCI Engineering Fabricated Parts

Product Deals
Offer Ends
May 31st

SPRING IN TO SAVINGS

US Made Products + Engineered for Safety + Increased Performance
= Quality Suspension Products
Engineered For:

1967-1969 Camaro, 1968-1974 Nova + 1967-1969 Firebird

All Discounts Only Apply Thru A Certified TCI Engineering Dealers ~ Please CALL About Our Dealer Referral Program 866-925-1103

PERFORMANCE COIL-OVER IFS

BUILT FOR: STREET, STRAIGHT LINE & PRO-TOURING APPLICATION

TCI FREE Product Upgrades

10% Off Retail Price
Value of: \$506.00 Included

1" High Performance Anti-Roll Bar
Value of: \$184.00 Included

Drilled / Slotted & Zinc Plated Rotors
Value of: \$125.00 Included

Aluminium Inner Fender Panels
Value of: \$65.00 Included

New Big Bore Calipers
Value of: \$50.00 Included

2" Dropped Spindle
Value of: \$140.00 Included

Power Rack - Included
Value of: \$100.00

TCI Bolt-in Product
Features Strength & Durability:

- 120 lbs. lighter than stock clip with disc brakes
- Engine mounts designed to accept small block, big block & LS1 engines (Optional brackets and Camaro oil pan required with LS1)
- Bolt-in multi position transmission mount is included
- Billet single adjustable coil-over shock
- 11" Drilled & slotted zinc plated rotors
- 1" Performance anti-roll bar
- Aluminium inner fender panels

The Best Bolt-on Performance
You Can Buy!!

Option: **\$5,059.00 Retail**
Stainless Arms

\$1,170.00 * Total Savings Has Free Products Included

\$4,553.00
Special Price

* Offer Only Applies to Plain Package

Now AVAILABLE
Stock Height
Spindle
* Call For Details



- Big bore calipers (With 20% Better Clamping Force)
- Spindles (2" drop)
- Power Rack and pinion
- Black powder coated springs
- 1" Upper tubular A-arms
- 1 1/2" Lower tubular A-arms
- Urethane bushed tubular A-arms

Options Available:
• 12", 13" or 14" Wilwood Disc Brakes
• Air spring suspension

STREET / STRAIGHT LINE

PERFORMANCE MINI TUB 4-LINK SUSPENSION KIT

The Best Bolt-on Performance You Can Buy!!

TCI Bolt-in Product Features Strength & Durability:

- NEW 1 1/4" High Performance Bars
- 1" adjustable panhard bar w/LH & RH rod ends
- Steel All American coil-over shock
- Black powder coated springs
- Rear coil-over crossmember
- Floor reinforcing plates
- Adjustable panhard bar
- Sub-frame connectors
- Adjustable 4-Link Bars
- Weld-on axle brackets
- Hardware kit

Street 4-Link
\$1,545.00 Retail

\$404.00 * Total Savings with Included products

\$1,391.00
Special Price

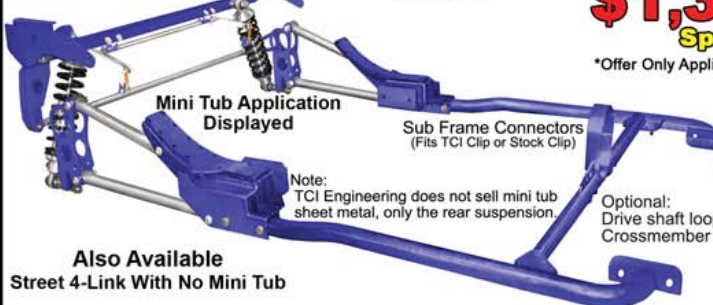
* Offer Only Applies to Plain Package

Mini Tub 4-Link
\$1,755.00 Retail

\$404.00 * Total Savings with Included products

\$1,601.00
Special Price

* Offer Only Applies to Plain Package



Mini Tub Application Displayed

Sub Frame Connectors (Fits TCI Clip or Stock Clip)

Note: TCI Engineering does not sell mini tub sheet metal, only the rear suspension.

Optional: Drive shaft loop Crossmember

10% Off Retail Price
Value of: \$154.00 Included

1 1/4" Rear High Performance Link Bars
Value of: \$250.00 Included

Looking to add more Tire to your car

- Able to fit: 18" x 12" Rear Wheels
- Able to fit: 335 x 35 x 18" Rear Tires
- Adds 2" in the rear wheel well
- For Only Mini Tub Applications

CALL NOW (866) 925-1103

Call Code: Muscle



In-House Machining and Fabrication



Go To: totalcostinvolved.com

Call For **FREE** TCI Catalog & Product Specials



Made in the USA

© 2011 Total Cost Involved Engineering, Inc. All Rights Reserved.